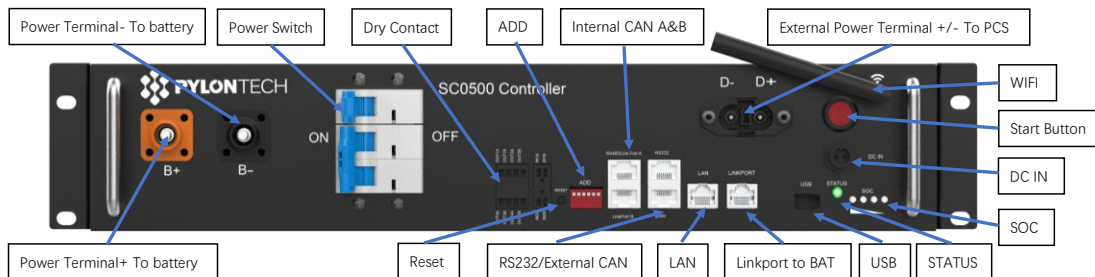


## 2.5. Control Module Specification

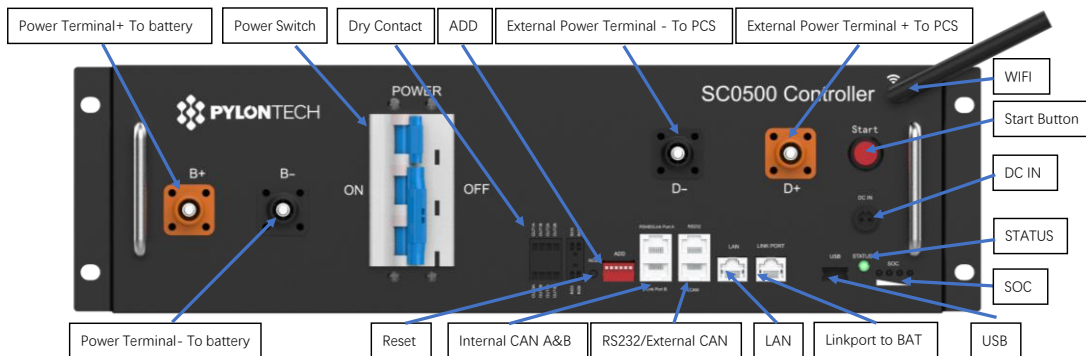
No.	Product Type	SC0500-40S-V2	SC0500-100S-V2
1	Related Product	H48050/H48074	H48050/H48074
2	Controller Working Voltage	60~600Vdc	60~600Vdc
3	System Operation Voltage (Vdc)	60~600	60~600
4	Charge Current (Max.) (A) *	40	80
5	Discharge Voltage (Vdc)	60~600	60~600
6	Discharge Current (Max.) (A) *	40	80
7	Self-consumption Power (W)	20	20
8	Dimension (W*D*H, mm)	442*390*87	442*390*132
9	Communication	Modbus RTU\CAN\LAN	Modbus RTU\CAN\LAN
10	Protection Class	IP20	IP20
11	Weight (kg)	7	9
12	Operation Life (Years)	15+	15+
13	Operation Temperature (°C)	-20~65	-20~65
14	Storage Temperature (°C)	-40~80	-40~80
15	Product Certificate	TUV, CE	TUV, CE

\* Maximum current is the values only for controller, the current value of the system is based on the battery module

### 2.5.1. Control Module Front Interface



SC0500-40S-V2



SC0500-100S-V2